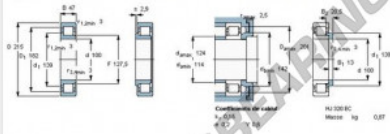


Rollager

NJ320-ECP-SKF - NJ320-ECP-SKF

<https://www.123kogellager.nl/kogellager-behuizing/rollager/roll/nj320-ecp-skf>

Dimensions d'encadrement			Charges de base		Désignation	Bague d'épaulement
d	D	B	dynamique C	statique C ₀	* Roulement SKF Explorer	Désignation
mm			kN			
100	215	47	450	440	NJ 320 ECP *	NJ 320 EC



The technical drawing shows a cross-section of the NJ320-ECP-SKF roller bearing. It features a single row of rollers with a cage. The inner ring has a diameter of 100 mm, and the outer ring has a diameter of 215 mm. The bearing width is 47 mm. The drawing also shows the internal components: the inner ring, the rollers, the cage, and the outer ring. The bearing is shown in a cross-section view, with the rollers and cage visible between the inner and outer rings. The drawing includes various dimension lines and labels for the different parts of the bearing.

PRODUCTKENMERKEN

Merk	SKF
N° Ean13	7316570483352
Binnendiameter	100 mm
Buitendiameter	215 mm
Dikte	47 mm
Verpakking	1

contact@123kogellager.nl

CRT4 de Lesquin 60 Rue Du Haut De Sainghin 59273 Fretin FRANCE