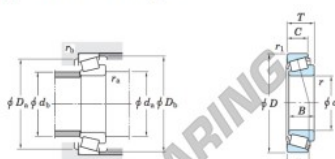


Kegellager 748SR-742-JTEKT - 748SR-742-JTEKT

<https://www.123kogellager.nl/kogellager-behuizing/rollager/kegellager/748sr-742-jtekt>

Single-row tapered roller bearings
inch series



Koyo

Boundary dimensions (mm)							Basic load ratings (kN)		Limiting speeds (min ⁻¹)	
<i>d</i>	<i>D</i>	<i>T</i>	<i>B</i>	<i>C</i>	<i>r_a</i> max.	<i>r_b</i> max.	<i>C_r</i>	<i>C₁₀</i>	Grease lub.	Oil lub.
76.200	150.089	44.450	46.672	38.512	3.6	3.2	264	368	2 500	3 400

Bearing No.		Load center (mm) <i>a</i>	Mounting dimensions (mm)						Constant <i>e</i>	Axial load factors		(Refer.) Mass (kg) Inner ring Outer ring	
Inner ring	Outer ring		<i>d_a</i>	<i>d_b</i>	<i>D_a</i>	<i>D_b</i>	<i>r_a</i> max.	<i>r_b</i> max.		<i>Y₁</i>	<i>Y₂</i>		
748SR	742	32.4	83.0	87.0	134.0	142.0	3.6	3.2	0.33	1.84	1.01	2.51	1.06

PRODUCTKENMERKEN

Merk	JTEKT
N° Ean13	3663952429175
Binnendiameter	76.2 mm
Binnendiameter	3" inch
Buitendiameter	150.089 mm
Buitendiameter	5.909" inch
Dikte	44.45 mm
Dikte	1 3/4" inch
Verpakking	1

contact@123kogellager.nl

CRT4 de Lesquin 60 Rue Du Haut De Sainghin 59273 Fretin FRANCE