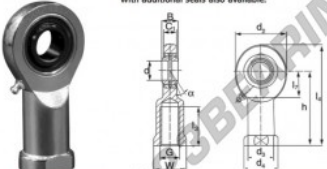


GE Stangkop SI12-E-DURBAL - SI12-E-DURBAL

<https://www.123kogellager.nl/kogellager-behuizing/stangkop/ge/si12-e-durbal>

SI12-E



female thread; lubrication required, according to DIN ISO 12240-4; series E

Description: DIN ISO rod end E series. Made of spherical plain bearing DGE...E (ES) pressed into rod end body. Sliding combination steel / steel. Maintenance necessary. Bore diameter $d \geq 15$ with grease nipple in rod end body and lubrication groove and hole in inner and outer ring. Bore diameter $d \geq 15$ type DSI...ES-2RS with additional seals also available.

Sliding combination: steel / steel

Inner ring: bearing steel, hardened, ground and phosphated

Outer ring: bearing steel, hardened, ground and phosphated

Lubrication: lubrication required

order number

right hand thread	left hand thread	measurement (mm)						
d	G	B	C1	d2	d3	d4		
SI 12 E	12 M 12	10	8,0	34	17,5	22		

type	measurement [mm]				load rating C_0 (kN)	weight (kg)
	l_2 min	W	h	α [°]		
SI / SII 12 E	23	19	50	11	24,5	0,096

PRODUCTKENMERKEN

Merk	DURBAL
N° Ean13	3616060468000
Binnendiameter	12 mm
Buitendiameter	34 mm
Dikte	10 mm
Type	GE
Gewicht	96 g
Draad	Rechtse draad
Smering	met
Verpakking	1

contact@123kogellager.nl

CRT4 de Lesquin 60 Rue Du Haut De Sainghin 59273 Fretin FRANCE