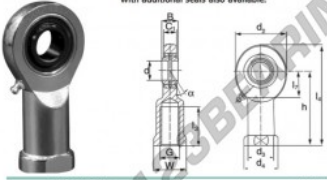


GE Stangkop SIL6-E-DURBAL - SIL6-E-DURBAL

<https://www.123kogellager.nl/kogellager-behuizing/stangkop/ge/sil6-e-durbal>

SIL6-E



female thread;
lubrication
required,
according to
DIN ISO 12240-4;
series E

Description: DIN ISO rod end E series. Made of spherical plain bearing DGE...E (ES) pressed into rod end body. Sliding combination steel / steel. Maintenance necessary. Bore diameter $d \geq 15$ with grease nipple in rod end body and lubrication groove and hole in inner and outer ring. Bore diameter $d \geq 15$ type DSI...ES-2RS with additional seals also available.

Sliding combination:
steel / steel

Inner ring:
bearing steel, hardened, ground and phosphated

Outer ring:
bearing steel, hardened, ground and phosphated

Lubrication:
lubrication required

order number

| right hand thread | left hand thread | measurement (mm) | | | | | | |
|-------------------|------------------|------------------|-----|---|-----|----|------|----|
| SIL 6 E | | d | G | B | C1 | d2 | d3 | d4 |
| | | 6 | M 6 | 6 | 4,4 | 21 | 10,0 | 13 |

| type | measurement [mm] | | | α [°] | load rating C_0 [kN] | weight [g] |
|--------------|------------------|----|----|-----------------|------------------------------|---------------|
| | l_2 min | W | h | | | |
| SI / SIL 6 E | 11 | 11 | 30 | 13 | 8,2 | 0,021 |

PRODUCTKENMERKEN

| | |
|----------------|---------------|
| Merk | DURBAL |
| N° Ean13 | 3616060467881 |
| Binnendiameter | 6 mm |
| Binnendiameter | 0.236" inch |
| Buitendiameter | 21 mm |
| Buitendiameter | 0.827" inch |
| Dikte | 6 mm |
| Dikte | 0.236" inch |
| Type | GE |
| Gewicht | 21 g |
| Smering | met |
| Verpakking | 1 |

contact@123kogellager.nl

CRT4 de Lesquin 60 Rue Du Haut De Sainghin 59273 Fretin FRANCE