


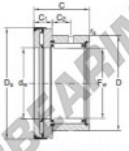
Naaldhulslager RAXPZ410-NADELLA - RAXPZ410-NADELLA

<https://www.123kogellager.nl/kogellager-behuizing/naaldlager/naaldhulslager/raxpz410-nadella>



Combined bearings with incorporated thrust plate RAXPZ 400 – RAXZ 500

Machine-tool quality combined bearings
RAXNPZ 400,
RAXNZ 500 series



RAXPZ400 - RAXNPZ 400

Shaft Ø mm	Designations		F _r mm	D mm	C mm	d _s mm	D _s mm	C ₁ mm	C ₂ mm	F _s mm
	RAXPZ 400 series	RAXZ 500 series								
10	RAXPZ 410		10	19	21	10	22.4	7	6	0.35

Load Ratings kN				Speed rating min ⁻¹	Weight kg	Shaft Ø mm
Radial		Axial				
Dyn. C	Stat. C ₀	Dyn. C	Stat. C ₀			
5.9	7.2	5	10.9	15500	0.029	10

PRODUCTKENMERKEN

Merk	NADELLA
N° Ean13	3663952459295
Binnendiameter	10 mm
Binnendiameter	0.394" inch
Buitendiameter	19 mm
Buitendiameter	0.748" inch
Dikte	21 mm
Dikte	0.827" inch
Gewicht	29 g
Verpakking	1

contact@123kogellager.nl

CRT4 de Lesquin 60 Rue Du Haut De Sainghin 59273 Fretin FRANCE