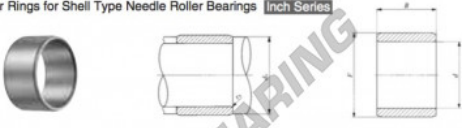


## Binnenring IRB612-1-IKO - IRB612-1-IKO

<https://www.123kogellager.nl/kogellager-behuizing/naaldlager/binnenring/irb612-1-iko>

**IKO**  
**INNER RINGS**  
Inner Rings for Shell Type Needle Roller Bearings Inch Series



Shaft dia. mm (inch)	Identification number	Mass (ref.) g	Boundary dimensions mm (inch)			Standard mounting dimensions mm (inch)			Assembled bearings		
			$d$	$F$	$B$	$d_s$ Min. Max.	$r_{max}$ Max.	BA--Z (BAM)	BHA--Z (BHAM)	YS YBH	
9.525 ( $\frac{3}{8}$ )	IRB 612-1	18.8	9.525 ( $\frac{3}{8}$ )	15.875 ( $\frac{5}{8}$ )	19.43	12.8 14	0.3	BA 1012Z	BHA 1012Z	YB 1012	

Note<sup>(\*)</sup> Minimum allowable value of chamfer dimension  $r$   
Remark No oil hole is provided.

## PRODUCTKENMERKEN

Merk	IKO
N° Ean13	3663952416656
Binnendiameter	9.525 mm
Binnendiameter	3/8" inch
Buitendiameter	15.875 mm
Buitendiameter	5/8" inch
Dikte	19.43 mm
Dikte	0.765" inch
Verpakking	1

[contact@123kogellager.nl](mailto:contact@123kogellager.nl)

CRT4 de Lesquin 60 Rue Du Haut De Sainghin 59273 Fretin FRANCE