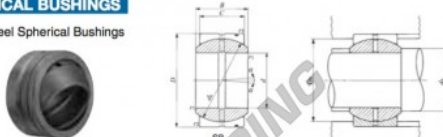


GE Stangkop SB8513574-IKO - SB8513574-IKO

<https://www.123kogellager.nl/kogellager-behuizing/stangkop/ge/sb8513574-iko>

IKO
SPHERICAL BUSHINGS
Steel-on-steel Spherical Bushings



Shaft dia. mm	Identification number		Mass (Ref.) kg	Boundary dimensions mm						Permissible tilting angle degree
	SB	SB 8513574		d	D	B	C	d _k	r _s ⁽¹⁾	
85		SB 8513574	4.29	85	135	74	63	125	0.6	6
Mounting dimensions mm		Dynamic load capacity C _d		Static load capacity C _s						
d _s	D _s									
Min.	Max. ⁽²⁾	Max.	Min.							
89.5	100.5	130.5	116	772 000	4 630 000					

Notes⁽¹⁾ Minimum allowable value of chamfer dimensions r₁ and r₂.
⁽²⁾ When Spherical Bushings are used with full tilting angle, the shaft shoulder dimension must be less than the maximum value of d_s.
Remark: 1. The inner ring and the outer ring have an oil groove and two oil holes, respectively.
2. Not provided with prepacked grease. Perform proper lubrication for use.

PRODUCTKENMERKEN

Merk	IKO
N° Ean13	3663952391472
Binnendiameter	85 mm
Buitendiameter	135 mm
Dikte	74 mm
Type	GE
Gewicht	4290 g
Smering	zonder
Dynamische belasting	772 kN
Statische belasting	4630 kN
Verpakking	1
Standaard	Geen standaard

contact@123kogellager.nl

CRT4 de Lesquin 60 Rue Du Haut De Sainghin 59273 Fretin FRANCE