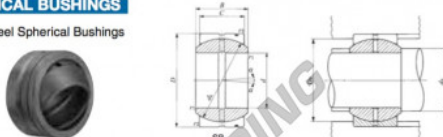


GE Stangkop SB6510555-IKO - SB6510555-IKO

<https://www.123kogellager.nl/kogellager-behuizing/stangkop/ge/sb6510555-iko>

IKO
SPHERICAL BUSHINGS
Steel-on-steel Spherical Bushings



Shaft dia. mm	Identification number	Mass (Ref.) kg	Boundary dimensions mm						Permissible tilting angle degree
			d	D	B	C	d_k	r_1 (1)	
65	SB 6510555	2.05	65	105	55	47	94	0.6	5
Mounting dimensions mm		Dynamic load capacity C_d N	Static load capacity C_s N						
d_s Min.	Max. (2)		D_s Min.						
69.5	76	433 000	100.5	87	2 600 000				

Notes (1) Minimum allowable value of chamfer dimensions r_1 and r_2 .
(2) When Spherical Bushings are used with full tilting angle, the shaft shoulder dimension must be less than the maximum value of d_s .
Remark 1. The inner ring and the outer ring have an oil groove and two oil holes, respectively.
2. Not provided with prepacked grease. Perform proper lubrication for use.

PRODUCTKENMERKEN

Merk	IKO
N° Ean13	3663952391397
Binnendiameter	65 mm
Buitendiameter	105 mm
Dikte	55 mm
Type	GE
Gewicht	2050 g
Smering	zonder
Verpakking	-
Standaard	Geen standaard

contact@123kogellager.nl

CRT4 de Lesquin 60 Rue Du Haut De Sainghin 59273 Fretin FRANCE