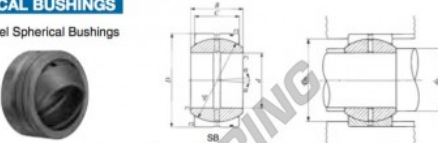


GE Stangkop SB6010053-IKO - SB6010053-IKO

<https://www.123kogellager.nl/kogellager-behuizing/stangkop/ge/sb6010053-iko>

IKO
SPHERICAL BUSHINGS
Steel-on-steel Spherical Bushings



Shaft dia. mm	Identification number		Mass (Ref.) kg	Boundary dimensions mm						Permissible tilting angle degree
	d	SB		d	D	B	C	d_k	r_1 mm ⁽¹⁾	
60	SB 6010053		1.70	60	100	53	45	90	0.6	6
Mounting dimensions mm				Dynamic load capacity C_d N	Static load capacity C_s N					
d_s		D_s								
Min.	Max. ⁽²⁾	Min.	Max.							
64.5	72.5	95.5	83.5	397 000	2 380 000					

Notes⁽¹⁾ Minimum allowable value of chamfer dimensions r_1 and r_2 .
⁽²⁾ When Spherical Bushings are used with full tilting angle, the shaft shoulder dimension must be less than the maximum value of d_s .
Remark: 1. The inner ring and the outer ring have an oil groove and two oil holes, respectively.
2. Not provided with prepacked grease. Perform proper lubrication for use.

PRODUCTKENMERKEN

Merk	IKO
N° Ean13	3663952391373
Binnendiameter	60 mm
Binnendiameter	2.362" inch
Buitendiameter	100 mm
Buitendiameter	3.937" inch
Dikte	53 mm
Dikte	2.087" inch
Type	GE
Smering	zonder
Verpakking	1

contact@123kogellager.nl

CRT4 de Lesquin 60 Rue Du Haut De Sainghin 59273 Fretin FRANCE