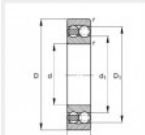


## Zich instellende kogellager 1226-M-FAG - 1226-M-FAG

<https://www.123kogellager.nl/kogellager-behuizing/kogellager/zich-instellende/1226-m-fag>

**Self-aligning ball bearings 1226-M**  
main dimensions to DIN 630



d	130 mm
D	230 mm
B	46 mm
C <sub>1</sub>	0,8 mm The ball projection must be taken into consideration when designing the adjacent construction.
D <sub>1</sub>	200,1 mm
D <sub>1max</sub>	216 mm
d <sub>1</sub>	161,5 mm
d <sub>1min</sub>	144 mm
r <sub>1max</sub>	2,5 mm
r <sub>1min</sub>	3 mm
m	8,67 kg Mass
C	120000 N Basic dynamic load rating, radial
e	0,19
Y <sub>1</sub>	3,24
Y <sub>2</sub>	0,02
C <sub>0</sub>	50000 N Basic static load rating, radial
Y <sub>0</sub>	3,4
n <sub>01</sub>	4500 1/min Limiting speed
n <sub>02</sub>	5400 1/min Reference speed
C <sub>u</sub>	2550 N Fatigue limit load, radial

Ball projection C1

### PRODUCTKENMERKEN

Merk	FAG
N° Ean13	3663952345932
Binnendiameter	130 mm
Buitendiameter	230 mm
Dikte	46 mm
Gewicht	8396 g
Verpakking	1
Standaard	Geen standaard

[contact@123kogellager.nl](mailto:contact@123kogellager.nl)

CRT4 de Lesquin 60 Rue Du Haut De Sainghin 59273 Fretin FRANCE